

# INDUSTRIAL VENTILATION SYSTEMS

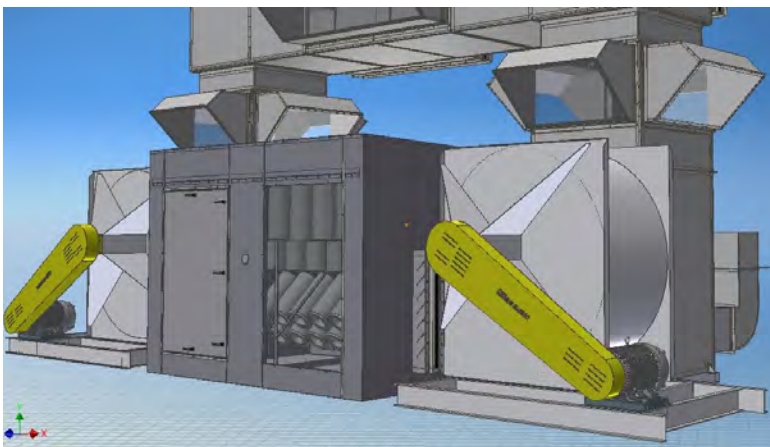
P: 832-328-4200

13130 STAFFORD ROAD, STAFFORD, TEXAS, 77477

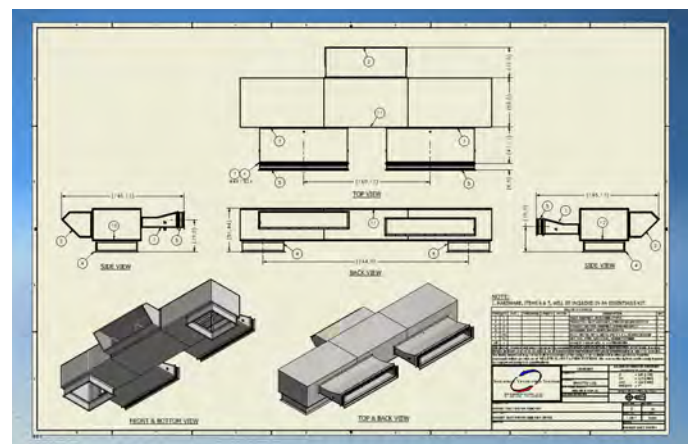
F: 832-328-1900



FOR OVER 30 YEARS, IVS HAS SPECIALIZED IN DESIGNING AND IMPLEMENTING CUSTOM AIR MOVING EQUIPMENT. FROM CONCEPT TO CREATION, IVS HAS THE EXPERTISE TO TACKLE THE MOST CHALLENGING PROJECTS. WE WORK DIRECTLY WITH THE CUSTOMER TO UNDERSTAND THE REQUIREMENTS AND EXPECTATIONS OF THEIR PROJECTS. IVS WILL CUSTOM TAILOR A PROGRAM TO ASSURE THESE EXPECTATIONS ARE MET. OUR COMPANY IS DEDICATED TO CUSTOMER SATISFACTION, QUALITY ASSURANCE AND THE PURSUIT OF CONTINUOUS IMPROVEMENTS. IVS IS AN INDUSTRY LEADER. CONTACT OUR OFFICE OR VISIT OUR WEBSITE TO LEARN MORE.



AS AN ENGINEERING MANUFACTURER, IVS HAS THE CAPACITY TO DESIGN AND BUILD TURNKEY AIR MOVING EQUIPMENT TO THE HIGHEST QUALITY STANDARDS. FURTHERMORE, AS A MANUFACTURER'S REPRESENTATIVE, IVS HAS THE RESOURCES TO ENGINEER AND BUILD THE MOST COMPLICATED SYSTEMS. WE PROUDLY BUILD OUR PRODUCTS IN THE USA!



10/01/16

[INQUIRE AT INFO@IVS-HOUSTON.COM](mailto:INFO@IVS-HOUSTON.COM)

# INDUSTRIAL VENTILATION SYSTEMS

P: 832-328-4200

13130 STAFFORD ROAD, STAFFORD, TEXAS, 77477

F: 832-328-1900



USING THE LATEST DESIGN SOFTWARE AVAILABLE, INDUSTRIAL VENTILATION SYSTEMS CAN DESIGN AND MODEL AIR MOVING SYSTEMS THAT ARE ON THE LEADING EDGE OF MODERN INDUSTRY STANDARDS. WITH OUR MANY YEARS OF INDUSTRY EXPERIENCE IN PIPELINE, COMPRESSOR STATIONS, POWER GENERATION AND VARIOUS OTHER INDUSTRIAL ENVIRONMENTS, OUR EQUIPMENT IS BUILT TO PERFORM TO THE STANDARDS IT WAS DESIGNED FOR. AT THE FACTORY, WE PRODUCE OUR PRODUCTS WITH STATE OF THE ART FABRICATION EQUIPMENT TO ASSURE THAT TOP QUALITY IS PRODUCED AT COST EFFECTIVE PRICING. OUR VALUE ENGINEERED EQUIPMENT IS PRODUCED TO EXCEED CUSTOMER EXPECTATIONS. WE STRIVE TO OUTPERFORM OUR COMPETITION IN VALUE, QUALITY, COST AND ON-TIME DELIVERY. OUR PRODUCTS ARE PROUDLY MADE IN THE USA.

I.NNOVATION V.ALUE S.EERVICE

INDUSTRIAL VENTILATION SYSTEMS

TEAM FOCUSED QUALITY • SKILLED CRAFTSMANSHIP • PRIDE OF OWNERSHIP



10/01/16

[INQUIRE AT INFO@IVS-HOUSTON.COM](mailto:INFO@IVS-HOUSTON.COM)

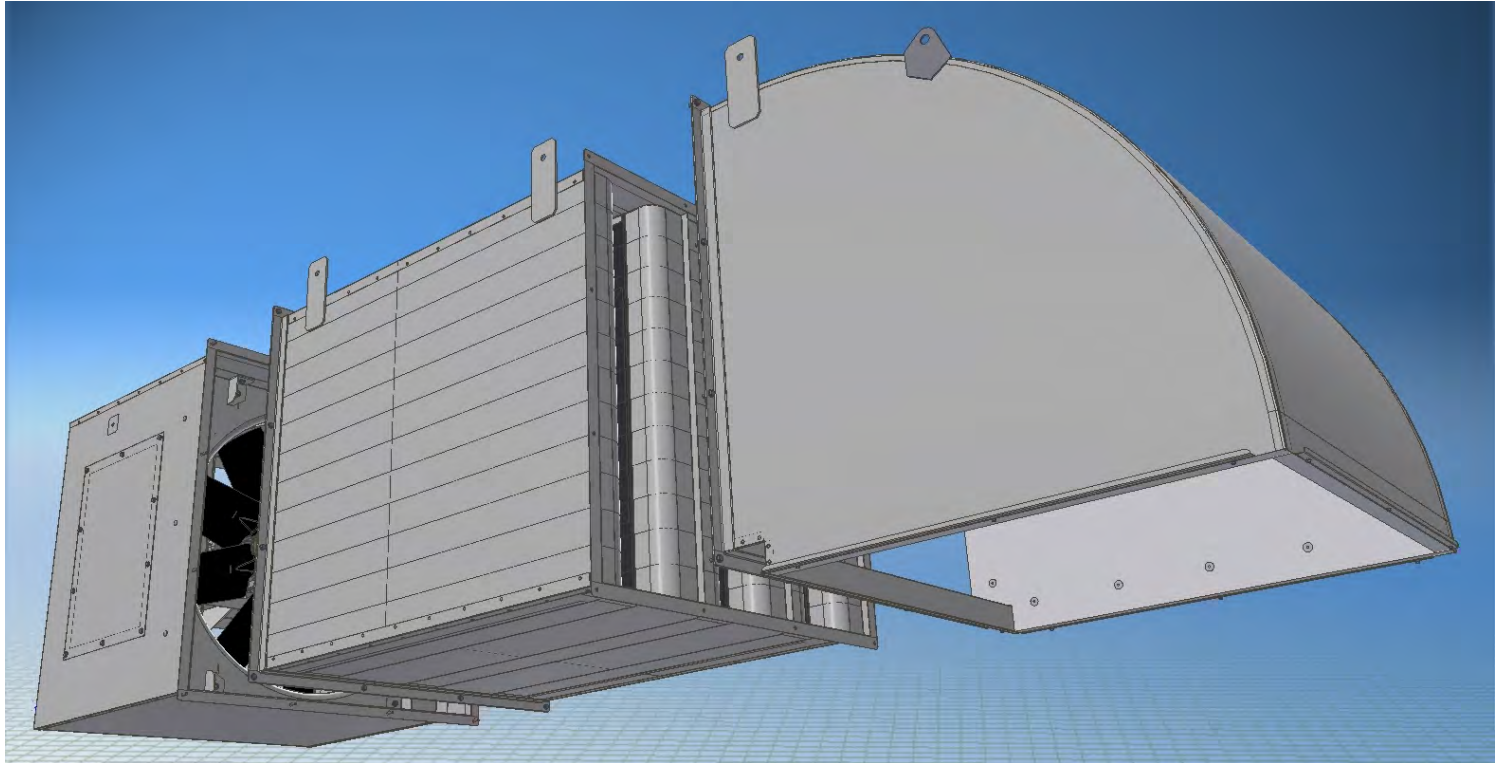
# INDUSTRIAL VENTILATION SYSTEMS

P: 832-328-4200

13130 STAFFORD ROAD, STAFFORD, TEXAS, 77477

F: 832-328-1900

## ATTENUATED WALL SUPPLY AIR SYSTEM (SWS)



### STANDARD SYSTEMS:

- HIGH FLOW, LOW VELOCITY VENTILATION
- RHD, WEATHER TIGHT RADIUS RAIN HOOD
- SDA, WALL MOUNTED ASTM E477 SILENCER
- M3 (3FT), M5 (5FT), OR M7 (7FT) MODELS
- PFS, INDUSTRIAL IVS PANEL FAN ASSEMBLY
- VIBRATION TESTED TO AMCA 204-5 (R2012)
- SFB, INDUSTRIAL IVS SUPPLY FAN BOX
- HEAVY DUTY PERIMETER MOUNTING FLANGES WITH SUPPLIED HARDWARE
- BACKDRAFT DAMPER, DIFFUSER OR CONTROL DAMPERS AVAILABLE
- ACRYLIC ENAMEL FINISH, PAINT TO MATCH



# INDUSTRIAL VENTILATION SYSTEMS

P: 832-328-4200

13130 STAFFORD ROAD, STAFFORD, TEXAS, 77477

F: 832-328-1900

## ATTENUATED ROOF TOP VENTILATION SYSTEM (SRE)

### STANDARD SYSTEMS:

- HIGH FLOW ROOF MOUNTED VENTILATION
- RTV, ROOF TOP GRAVITY VENTILATOR
- CRB, PEAK OR SLOPE MOUNTED CURB
- SDA, CURB MOUNTED SILENCER
- ACCREDITED TO ASTM E477 STANDARDS
- FULL PERIMETER CURB FLASHING
- EASY HANDLING AND INSTALLATION
- ACRYLIC ENAMEL FINISH, PAINT TO MATCH

### OPTIONS:

- RIDGE HEIGHT, PITCH, FLASHING LENGTH
- BACK DRAFT DAMPER, CONTROL DAMPER
- 3FT, 5FT, AND 7FT SILENCER LENGTHS
- SUPPORT TABS, HOLD DOWN BRACKETS
- VARIOUS RIB CLOSURE CLIPS AND SKIRTS
- FULL CUSTOM CONSTRUCTION AVAILABLE



# INDUSTRIAL VENTILATION SYSTEMS

P: 832-328-4200

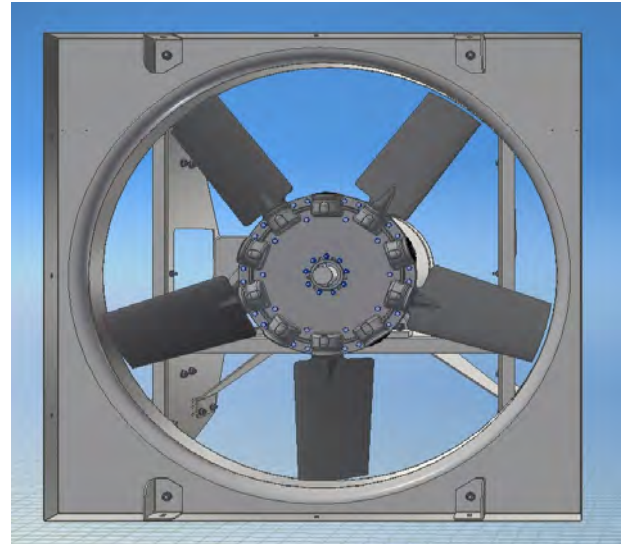
13130 STAFFORD ROAD, STAFFORD, TEXAS, 77477

F: 832-328-1900

## INDUSTRIAL DUTY AXIAL PANEL FANS (PFS)

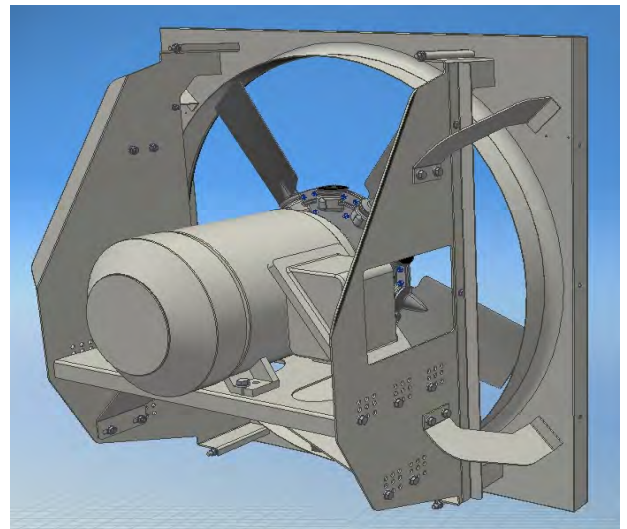
### STANDARD FEATURES:

- HEAVY GAGE STEEL CONSTRUCTION
- SUPPLY AND EXHAUST MOUNTING
- ROLLED STEEL VENTURI ORIFICE PANEL
- REINFORCED RIGID CONSTRUCTION
- IN-HOUSE DESIGN AND TESTING
- FULL CUSTOM CONFIGURATIONS
- VIBRATION ANALYSIS AND VALIDATION
- ACRYLIC ENAMEL FINISH, PAINT TO MATCH

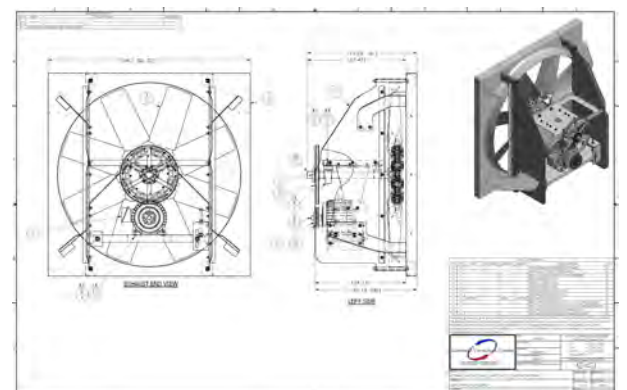
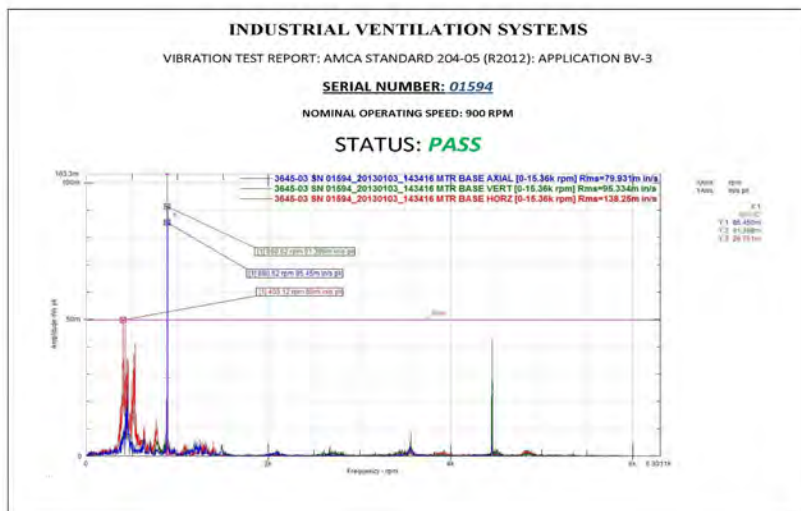


### OPTIONS:

- AL, PAGAS, AND PPG PROPELLOR SELECTIONS
- UNLIMITED MOTOR CONFIGURATIONS
- EXPLOSION PROOF/ CLASSIFIED ENVIRONMENTS
- STAINLESS STEEL CONSTRUCTION
- FULL CUSTOM CONSTRUCTION AVAILABLE



### SIGNATURE SERIES FAN SYSTEMS



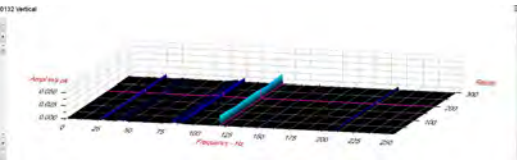
# INDUSTRIAL VENTILATION SYSTEMS

P: 832-328-4200

13130 STAFFORD ROAD, STAFFORD, TEXAS, 77477

F: 832-328-1900

**CUSTOM BUILT INDUSTRIAL DUTY AXIAL PANEL FANS**  
**DESIGNED, BUILT AND TESTED IN HOUSE TO MEET AMCA 204-5 (R2012)**  
**OEM DESIGN BUILDS AND APPLICATION SPECIFIC ENGINEERING AVAILABLE**



EACH FAN PRODUCED AT IVS IS TESTED FOR VIBRATION, SOUND AND AMP DRAW. EACH RUN IS RECORDED AND ARCHIVED IN OUR DATABASE AND AVAILABLE FOR FUTURE REVIEW. SINCE EACH SYSTEM PRODUCED IS CUSTOM IN NATURE, THIS IS THE ONLY WAY TO VALIDATE THE DESIGN.



# INDUSTRIAL VENTILATION SYSTEMS

P: 832-328-4200

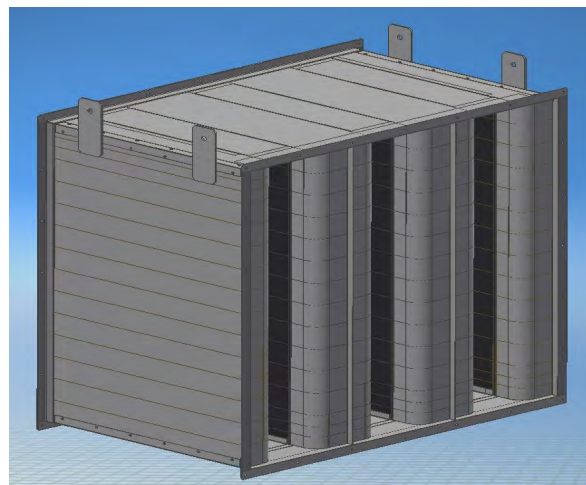
13130 STAFFORD ROAD, STAFFORD, TEXAS, 77477

F: 832-328-1900

## SOUND ATTENUATOR (SDA)

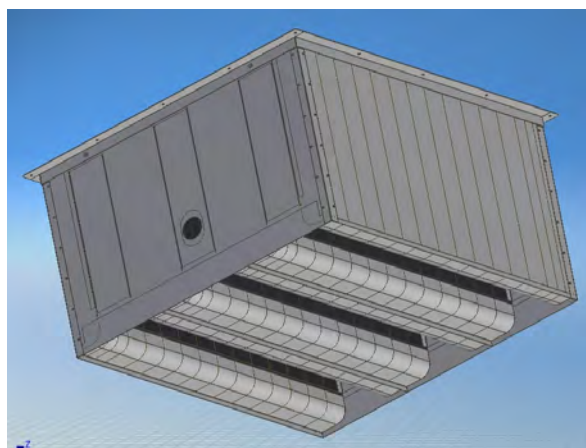
### STANDARD FEATURES:

- 18GA (.048") GALVANEAL EXTERIOR SHELL
- SEALED, WEATHER TIGHT CONSTRUCTION
- 100% MINERAL WOOL SOUND ABSORBENT
- ACCREDITED TO ASTM E477 STANDARDS
- FULL PERIMETER 11GA (.120") FRAMING
- PRE PUNCHED HEAVY DUTY FLANGES
- AIRFOIL NOSE CONE/ PERF METAL BAFFLES
- ACRYLIC ENAMEL FINISH, PAINT TO MATCH



### OPTIONS:

- AVAILABLE IN 3FT, 5FT AND 7FT LENGTHS
- BACK DRAFT DAMPER, CONTROL DAMPER
- EXPLOSION PROOF ACTUATOR / OPERATOR
- SCUPPER VENT HOLE FOR MIGRANT GASES
- FULL CUSTOM CONSTRUCTION AVAILABLE



### IVS PART NUMBER NAMING CONVENTION

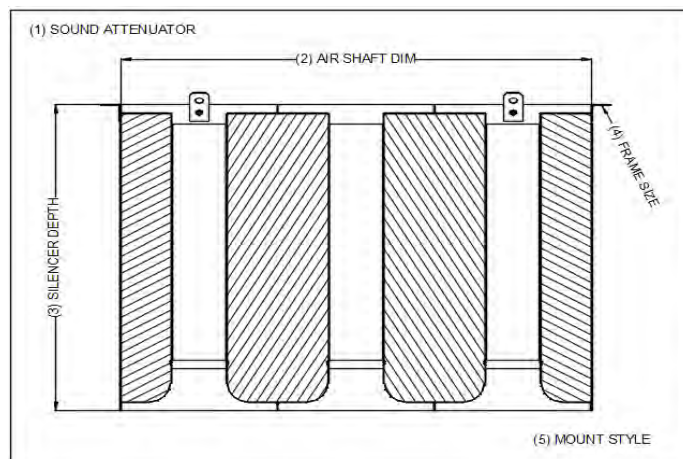
<u>SDA</u> <sup>(1)</sup>	<u>48</u> <sup>(2)</sup>	<u>M3</u> <sup>(3)</sup>	<u>F20</u> <sup>(4)</sup>	<u>WLM</u> <sup>(5)</sup>
SOUND	AIRSHAFT	SILENCER	FRAME	MOUNT
ATTN	DIMENSION	DEPTH	SIZE	STYLE

- (1) SDA = STANDARD SOUND ATTENUATOR  
(2) 00 = AIR SHAFT/ OUTSIDE DIMENSION  
(3) M = SILENCER DEPTH, AVAILABLE IN 3FT , 5FT AND 7FT  
(4) F = PERIMETER FRAME SIZE, 1.50" OR 2.00"  
(5) MOUNT STYLE: WLM = WALL MOUNT  
CRB = CURB MOUNT  
SLV = SLEEVE MOUNT

### EXAMPLE:

**SDA54M5F20CRB:** SOUND ATTENUATOR, 54.00" SQUARE AIR SHAFT, M5 (5FT) SILENCER DEPTH, 2.00" PERIMETER FRAME, CURB MOUNTING STYLE

### SOUND ATTENUATOR CROSS SECTION



# INDUSTRIAL VENTILATION SYSTEMS

P: 832-328-4200

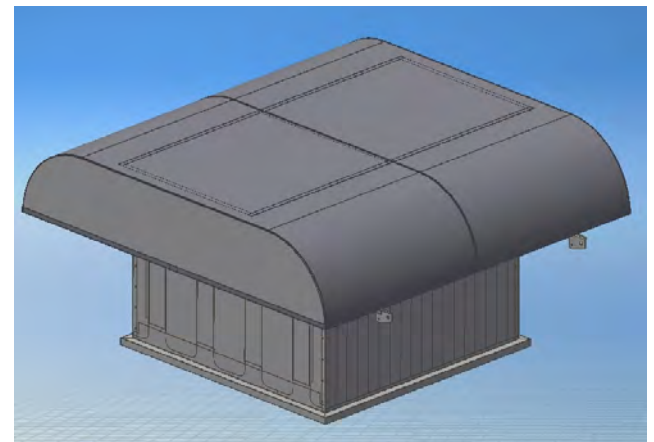
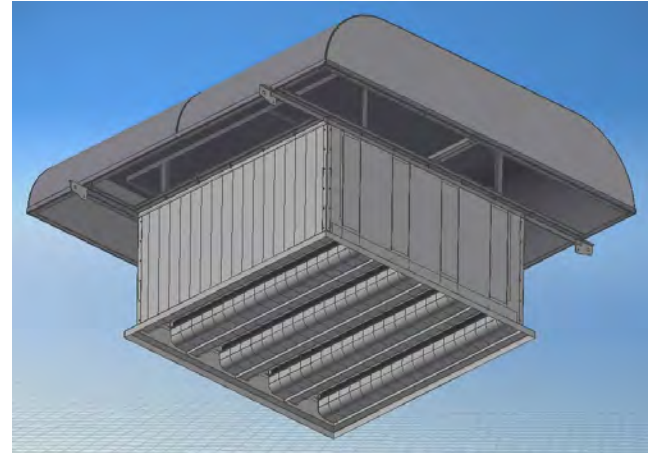
13130 STAFFORD ROAD, STAFFORD, TEXAS, 77477

F: 832-328-1900

## ATTENUATED ROOF VENTILATOR (ARV)

### STANDARD FEATURES:

- 18GA (.048") GALVANEAL CONSTRUCTION
- SEALED, WEATHER TIGHT CONSTRUCTION
- SOUND ATTENUATOR IN THE AIRSHAFT
- 100% MINERAL WOOL SOUND ABSORBANT
- NO FIBERGLASS FILLERS
- FULL PERIMETER EXPANDED METAL SCREEN
- FULL PERIMETER AND INTERNAL FRAMING
- SUPPORT TABS, HOLD DOWN TABS
- ACRYLIC ENAMEL FINISH, PAINT TO MATCH



### OPTIONS:

- AVAILABLE WITH 3FT, 5FT AND 7FT SILENCERS
- BACK DRAFT DAMPER, CONTROL DAMPER
- EXPLOSION PROOF ACTUATOR / OPERATOR
- FULL CUSTOM CONSTRUCTION AVAILABLE

### IVS PART NUMBER NAMING CONVENTION

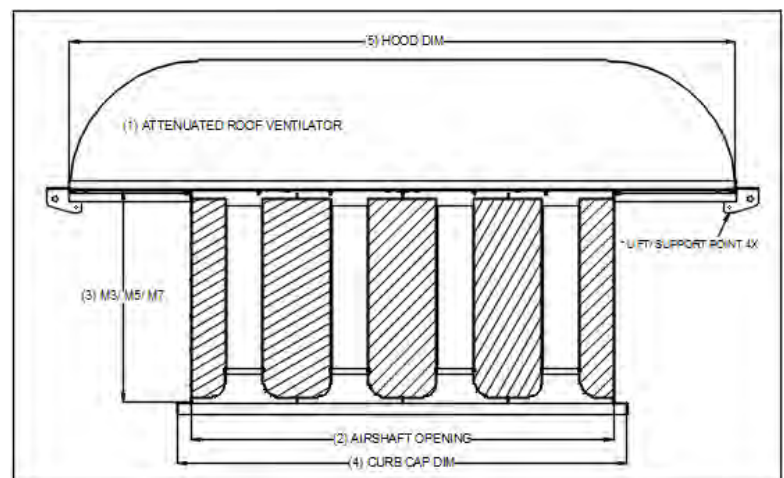
<u>ARV</u> <sup>(1)</sup>	<u>48</u> <sup>(2)</sup>	<u>M3</u> <sup>(3)</sup>	<u>53CP</u> <sup>(4)</sup>	<u>9393HD</u> <sup>(5)</sup>
ROOF	AIRSHAFT	SILENCER	CURB	HOOD
TOP	DIMENSION	DEPTH	CAP	DIMENSION

- (1) ARV = ATTENUATED ROOF TOP VENTILATOR  
(2) T = AIR SHAFT/ THROAT DIMENSION  
(3) M = SILENCER DEPTH, AVAILABLE IN 3FT , 5FT AND 7FT  
(4) CP = CURB CAP DIMENSION  
(5) HD = WEATHER HOOD DIMENSION

### EXAMPLE:

**ARV54M3T59CP9393HD:** ATTENUATED ROOF VENTILATOR, 54.00" SQUARE AIR SHAFT, M3 (3FT) SILENCER, 59.00" SQUARE CURB CAP, 93.00" SQUARE HOOD

### ATTENUATED VENTILATOR CROSS SECTION



STANDARD AIR SHAFT SIZE: 24",36",42", 48",54",60",72",84",96"



# INDUSTRIAL VENTILATION SYSTEMS

P: 832-328-4200

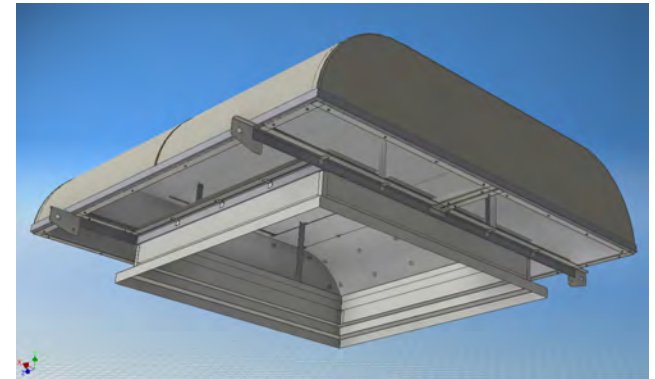
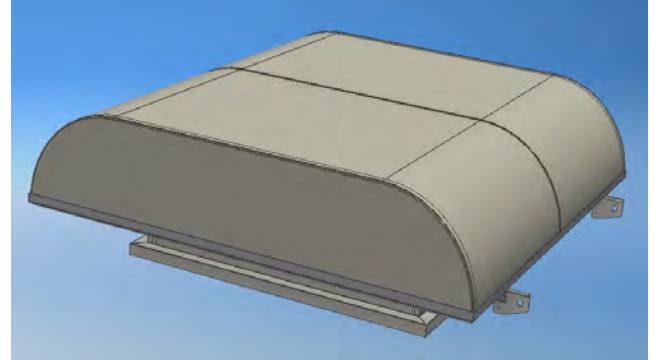
13130 STAFFORD ROAD, STAFFORD, TEXAS, 77477

F: 832-328-1900

## ROOF TOP VENTILATOR (RTV)

### STANDARD FEATURES:

- 18GA (.048") GALVANEAL CONSTRUCTION
- SEALED, WEATHER TIGHT CONSTRUCTION
- FULL PERIMETER EXPANDED METAL SCREEN
- ACOUSTIC INSULATION/ ANTICONDENSATE
- FULL PERIMETER AND INTERNAL FRAMING
- SUPPORT TABS, HOLD DOWN TABS
- ACRYLIC ENAMEL FINISH, PAINT TO MATCH



### OPTIONS:

- BACK DRAFT DAMPER, CONTROL DAMPER
- EXPLOSION PROOF ACTUATOR / OPERATOR
- FULL CUSTOM CONSTRUCTION AVAILABLE

### IVS PART NUMBER NAMING CONVENTION

<u>RTV</u> <sup>(1)</sup>	<u>60T</u> <sup>(2)</sup>	<u>65CP</u> <sup>(3)</sup>	<u>9393HD</u> <sup>(4)</sup>
ROOF	AIR SHAFT	CURB	HOOD
TOP	DIMENSION	CAP	DIMENSION

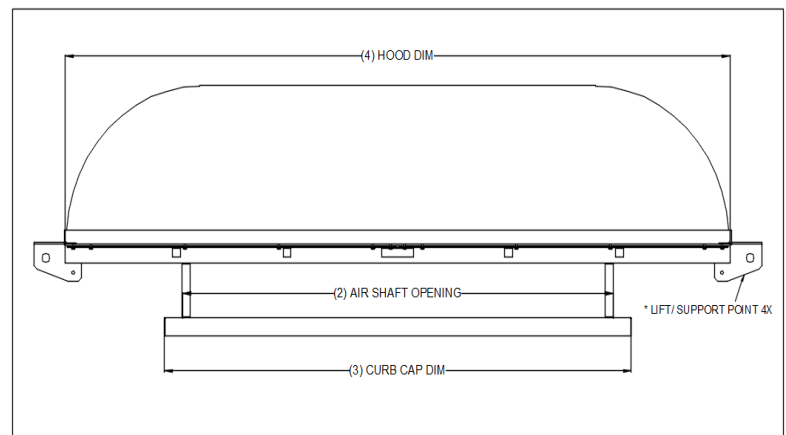
- (1) RTV = STANDARD ROOF TOP VENTILATOR  
(2) T = AIR SHAFT/ THROAT DIMENSION  
(3) CP = CURB CAP DIMENSION  
(4) HD = WEATHER HOOD L X W DIMENSION

### EXAMPLE:

**RTV54T59CP9393HD:** ROOF TOP VENTILATOR, 54.00" SQ AIR SHAFT, 59.00" SQUARE CURB CAP, 93.00" SQUARE HOOD

**RTV48T53CP5757HD:** ROOF TOP VENTILATOR, 48.00" SQ AIR SHAFT, 53.00" SQUARE CURB CAP, 75.00" SQUARE HOOD

### VENTILATOR CROSS SECTION



STANDARD AIR SHAFT SIZE: 24",36",42", 48",54",60",72",84",96"

# INDUSTRIAL VENTILATION SYSTEMS

P: 832-328-4200

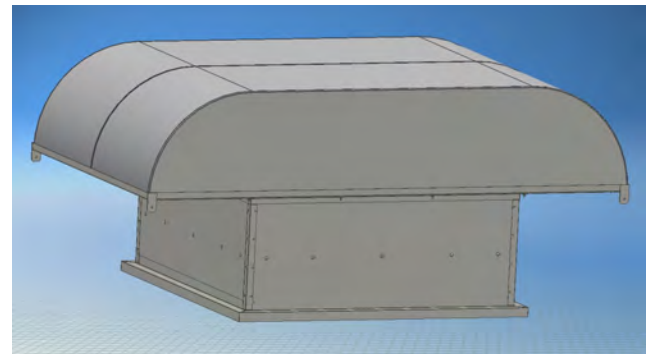
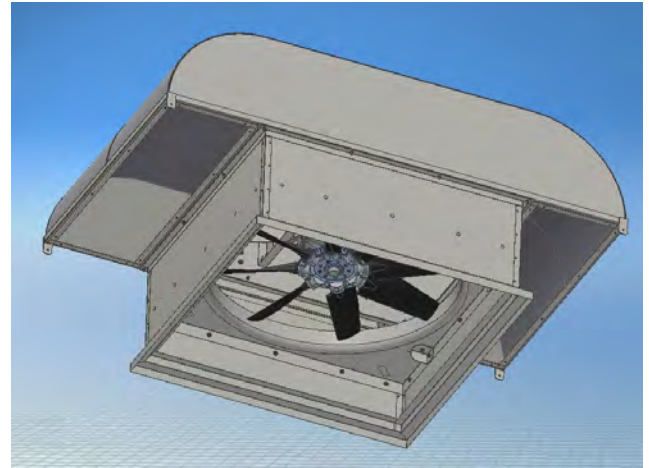
13130 STAFFORD ROAD, STAFFORD, TEXAS, 77477

F: 832-328-1900

## POWER VENT HOODED FAN BOX (HFB)

### STANDARD FEATURES:

- 18GA (.048") GALVANEAL CONSTRUCTION
- SEALED, WEATHER TIGHT CONSTRUCTION
- INDUSTRIAL IVS PANEL FAN IN THE AIRSHAFT
- VIBRATION TESTED AND DESIGN VALIDATED
- FULL PERIMETER EXPANDED METAL SCREEN
- FULL PERIMETER AND INTERNAL FRAMING
- SUPPORT TABS, HOLD DOWN TABS
- ACRYLIC ENAMEL FINISH, PAINT TO MATCH



### OPTIONS:

- AVAILABLE WITH ACOUSTIC LINER
- BACK DRAFT DAMPER/ CONTROL DAMPER
- EXPLOSION PROOF ACTUATOR / OPERATOR
- FULL CUSTOM CONSTRUCTION AVAILABLE

### IVS PART NUMBER NAMING CONVENTION

<u>HFB</u> <sup>(1)</sup>	<u>60T</u> <sup>(2)</sup>	<u>65CP</u> <sup>(3)</sup>	<u>10864HD</u> <sup>(4)</sup>
HOODED FAN BOX	AIRSHAFT DIMENSION	CURB CAP	HOOD DIMENSION

(1) HFB = STANDARD HOODED FAN BOX

(2) T = AIR SHAFT/ THROAT DIMENSION

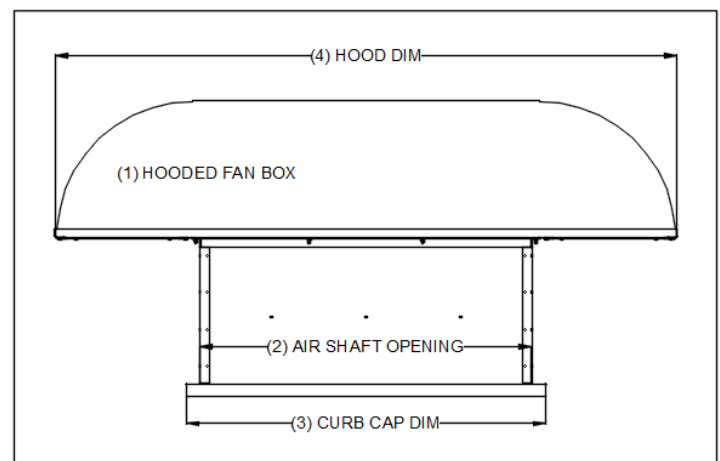
(3) CP = CURB CAP DIMENSION

(4) HD = WEATHER HOOD DIMENSION

### EXAMPLE:

**HFB54T59CP10258HD:** HOODED FAN BOX, 54.00" SQUARE AIR SHAFT, 48" PANEL FAN, 59.00" SQUARE CURB CAP, 102.00" X 58.00" WEATHER HOOD

### HOODED FAN BOX CROSS SECTION



STANDARD AIR SHAFT SIZE: 24",36",42", 48",54",60",72",84",96"

# INDUSTRIAL VENTILATION SYSTEMS

P: 832-328-4200

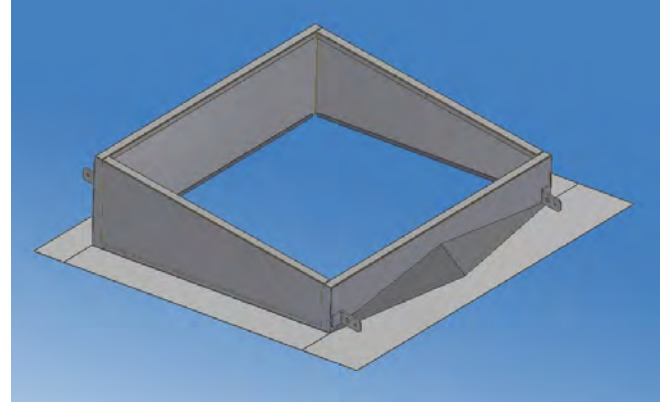
13130 STAFFORD ROAD, STAFFORD, TEXAS, 77477

F: 832-328-1900

## SLOPE MOUNT ROOF CURB (CRB)

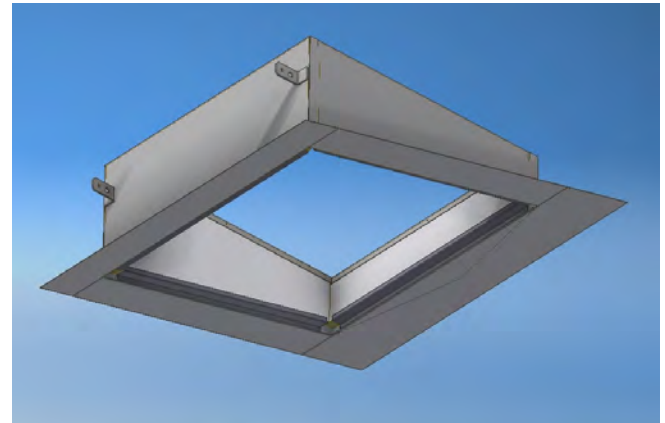
### STANDARD FEATURES:

- 14GA (.075") GALVANEAL CONSTRUCTION
- SEAMLESS, ALL WELDED, WEATHER TIGHT
- 1-1/2" FOIL BACKED INSULATION
- FULL PERIMETER FLASHING
- ACRYLIC ENAMEL FINISH, PAINT TO MATCH



### OPTIONS:

- RIDGE HEIGHT, PITCH, FLASHING LENGTH
- BACK DRAFT DAMPER, CONTROL DAMPER
- SUPPORT TABS, HOLD DOWN TABS
- VARIOUS RIB CLOSURE CLIPS AND SKIRTS
- FULL CUSTOM CONSTRUCTION AVAILABLE

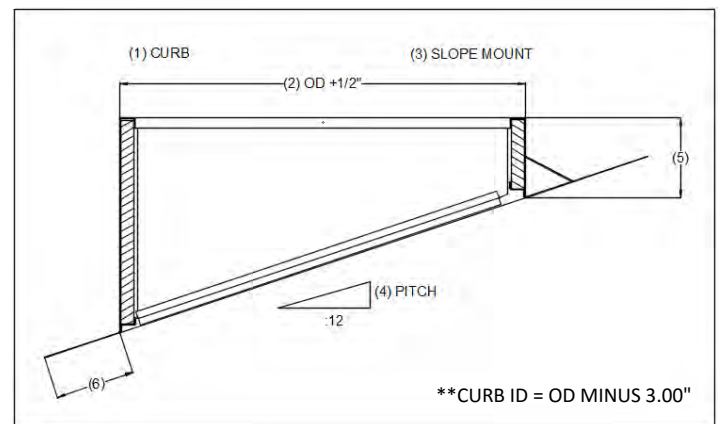


### IVS PART NUMBER NAMING CONVENTION

<u>CRB</u> <sup>(1)</sup>	<u>44</u> <sup>(2)</sup>	<u>SM</u> <sup>(3)</sup>	<u>4P</u> <sup>(4)</sup>	<u>8R</u> <sup>(5)</sup>	<u>8F</u> <sup>(6)</sup>
ROOF CURB	CURB OD	MOUNTING TYPE	ROOF PITCH	RIDGE HEIGHT	FLASHING DIMENSION

- (1) CRB = STANDARD ROOF CURB  
(2) CURB OD = CONVENTION VALUE + 1/2"  
(3) MOUNTING TYPE: PM = PEAK MOUNT  
SM = SLOPE MOUNT  
(4) ROOF PITCH:  
1P = 1:12 PITCH  
2P = 2:12 PITCH  
3P = 3:12 PITCH  
4P = 4:12 PITCH  
(5) RIDGE HEIGHT:  
8R = 8.00" RIDGE HEIGHT  
12R = 12.0" RIDGE HEIGHT \*(NON-STANDARD)  
(6) FLASHING DIM:  
3F = 3.00" FLASHING ON 3 SIDES  
6F = 6.00" FLASHING ON 3 SIDES  
8F = 8.00" FLASHING ON 3 SIDES  
XF = NON-STANDARD FLASHING

### SLOPE CURB CROSS SECTION



# INDUSTRIAL VENTILATION SYSTEMS

P: 832-328-4200

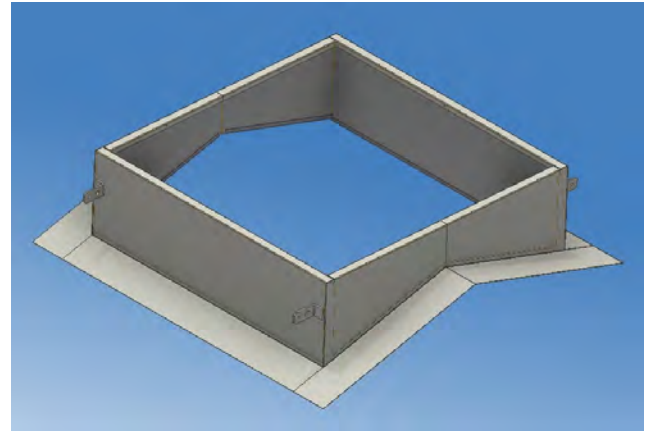
13130 STAFFORD ROAD, STAFFORD, TEXAS, 77477

F: 832-328-1900

## PEAK MOUNT ROOF CURB (CRB)

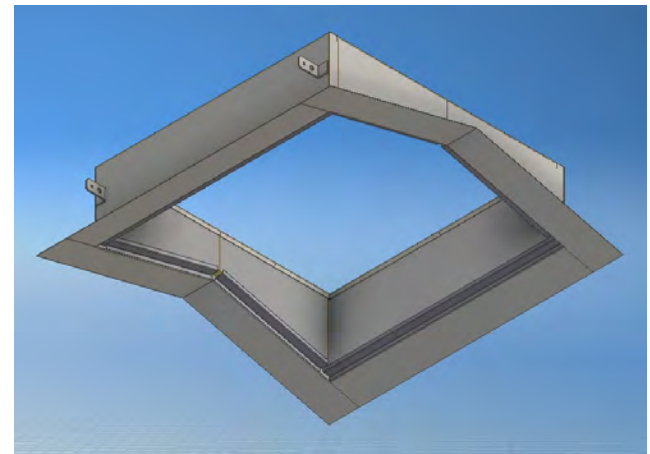
### STANDARD FEATURES:

- 14GA (.075") GALVANEAL CONSTRUCTION
- SEAMLESS, ALL WELDED, WEATHER TIGHT
- 1-1/2" FOIL BACKED INSULATION
- FULL PERIMETER FLASHING
- ACRYLIC ENAMEL FINISH, PAINT TO MATCH



### OPTIONS:

- RIDGE HEIGHT, PITCH, FLASHING LENGTH
- BACK DRAFT DAMPER, CONTROL DAMPER
- SUPPORT TABS, HOLD DOWN TABS
- VARIOUS RIB CLOSURE CLIPS AND SKIRTS
- FULL CUSTOM CONSTRUCTION AVAILABLE



### IVS PART NUMBER NAMING CONVENTION

<u>CRB</u> <sup>(1)</sup>	<u>44</u> <sup>(2)</sup>	<u>SM</u> <sup>(3)</sup>	<u>4P</u> <sup>(4)</sup>	<u>8R</u> <sup>(5)</sup>	<u>8F</u> <sup>(6)</sup>
ROOF CURB	CURB OD	MOUNTING TYPE	ROOF PITCH	RIDGE HEIGHT	FLASHING DIMENSION

(1) CRB = STANDARD ROOF CURB

(2) CURB OD = CONVENTION VALUE + 1/2"

(3) MOUNTING TYPE: PM = PEAK MOUNT  
SM = SLOPE MOUNT

(4) ROOF PITCH:  
1P = 1:12 PITCH  
2P = 2:12 PITCH  
3P = 3:12 PITCH  
4P = 4:12 PITCH

(5) RIDGE HEIGHT:  
8R = 8.00" RIDGE HEIGHT  
12R = 12.00" RIDGE HEIGHT \*(NON-STANDARD)

(6) FLASHING DIM:  
3F = 3.00" FLASHING ON 3 SIDES  
6F = 6.00" FLASHING ON 3 SIDES  
8F = 8.00" FLASHING ON 3 SIDES  
XF = NON-STANDARD FLASHING

### PEAK CURB CROSS SECTION

